

# Pluggable Multi-Pole SPD

## FLP12.5-275/3(S)

Class I • Class II • Type 1 • Type 2



Location of Use: Main Distribution Boards  
 Network Systems: TN-C  
 Mode of Protection: L-PEN  
 Surge Ratings:  $I_{imp}$  = up to 12,5 kA (10/350  $\mu$ s)  
 $I_n$  = up to 20 kA (8/20  $\mu$ s)  
 IEC/EN Category: Class I+II / Type 1+2  
 Protective Elements: High Energy MOV  
 Housing: Pluggable Design  
 Compliance: IEC 61643-11:2011  
 EN 61643-11:2012

### Technical Data

FLP12.5-275/3(S)

275

#### IEC Electrical

Nominal AC Voltage (50/60Hz)	$U_o / U_n$	230 V
Maximum Continuous Operating Voltage (AC)	$U_c$	275 V
Nominal Discharge Current (8/20 $\mu$ s)	$I_n$	20 kA
Maximum Discharge Current (8/20 $\mu$ s)	$I_{max}$	50 kA
Impulse Discharge Current (10/350 $\mu$ s)	$I_{imp}$	12,5 kA
Specific Energy	W/R	39 kJ / $\Omega$
Charge	Q	6.25 As
Voltage Protection Level	$U_p$	1500 V
Residual Current at $U_c$	$I_{PE}$	< 0,5 mA
Response Time	$t_A$	< 25 ns
Back-Up Fuse (max)		160 A gL / gG
Short-Circuit Current Rating (AC)	$I_{SCCR}$	25 kA
TOV Withstand 5s	$U_T$	335 V
TOV 120min	$U_T$	440 V
	mode	Safe Fail
Number of Ports		1

#### Mechanical & Environmental

Operating Temperature Range	$T_a$	-40 °F to +158 °F [-40 °C to +70 °C]
Permissible Operating Humidity	RH	5%...95%
Atmospheric pressure and altitude		80k Pa ... 106k Pa / -500 m ... 2000 m
Terminal Screw Torque	$M_{max}$	39.9 lbf-in [4.5 Nm]
Conductor Cross Section (max)		2 AWG (Solid, Stranded) / 4 AWG (Flexible) 35 mm <sup>2</sup> (Solid, Stranded) / 25 mm <sup>2</sup> (Flexible)
Mounting		35 mm DIN Rail, EN 60715
Degree of Protection		IP 20 (built-in)
Housing Material		Thermoplastic: Extinguishing Degree UL 94V-0
Thermal Protection		Yes
Operating State / Fault Indication		Green ok / Red defect
Remote Contacts (RC)		Optional
RC Switching Capacity		AC: 250V / 0.5A; DC: 250V / 0.1A; 125V / 0.2A; 75V / 0.5A
RC Conductor Cross Section (max)		16 AWG (Solid) / 1.5 mm <sup>2</sup> (Solid)

#### Order Information

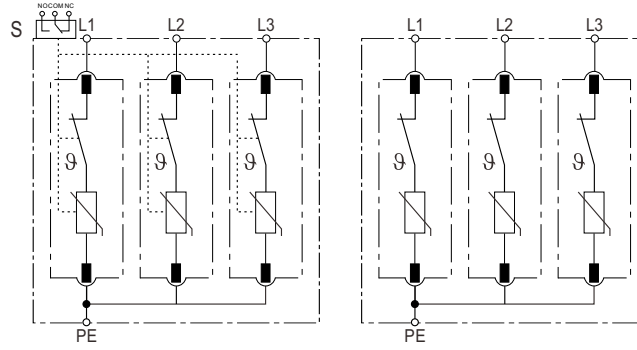
Ordering Code	275
FLP12.5-275/3	1227531
FLP12.5-275/3S (with remote contacts)	1227532
FLP12.5-275/0 (spare modules)	1227501

## FLP12.5-275/3(S)

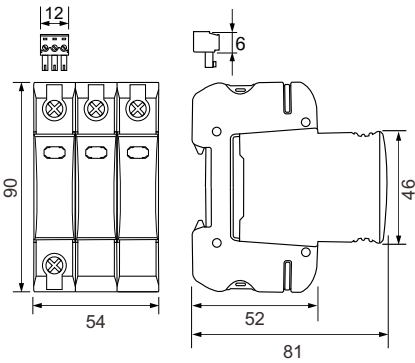
### Internal Configuration

#### Legend

- L Line
- N Neutral
- PE Protective Earth
- S Signalling Contacts Optional



### Dimensions & Packaging

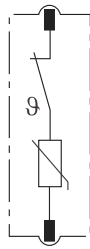


#### Dimensions & Packaging

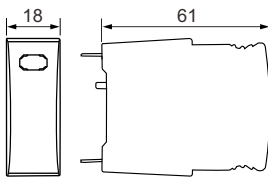
FLP12.5-275/3(S)	275
Single Unit DIN 43880 Dimension	1 CTN
Packaging Dimensions (HxWxL)	[200 × 230 × 330 mm]
Minimum Order Quantity	20 Units

### Plug Internal Configuration

#### FLP12.5-275/0



### Dimensions & Packaging



#### Dimensions & Packaging

FLP12.5-275/0	275
Single Unit DIN 43880 Dimension	1 CTN
Packaging Dimensions (HxWxL)	[270 × 230 × 330 mm]
Minimum Order Quantity	96 Units

### Connection Diagram

#### TN-C (Three-phase, 3+0)

